

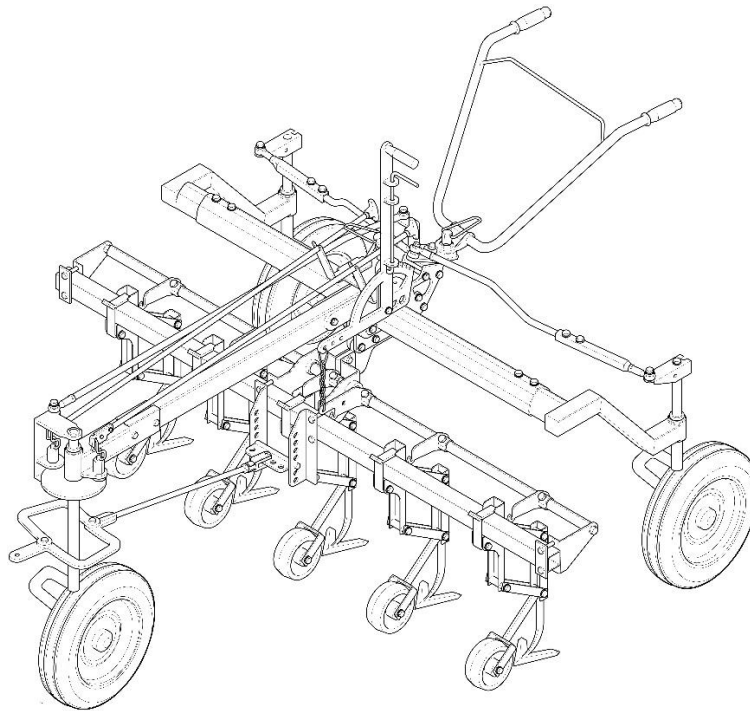
# Call for cooperation

The European non-profit network Schaff mat Pærd asbl (Work with horses asbl), registered in Luxembourg, is looking for Swedish cooperation partners for a transnational EU Leader+ project titled:

## Innovation in agriculture and gardening

The objectives of this project are:

- Promote the regional organic food production
- Networking of different actors for the development, construction, and field testing of new work horse equipment with innovative technologies
- Technical support for smallholder farms and market gardeners



Leader stands for “Links between actions for the development of the rural economy” and is a European Union initiative to support rural development projects initiated at the local level in order to revitalise rural areas and create jobs.



LEADER+ projects are managed by local action groups (LAGs). This Leader+ project has been approved yet by the LAG Lëtzebuerg West.

Luxembourg’s Ministry of Agriculture, Viticulture and Rural Development has granted a budget for the project preparation.

The initiator and project leader is the association Schaff mat Pærd asbl.

The planed project steps are as follows:

- 2020:** Project preparation  
Meeting of Leader groups and all partners involved
- 2021:** Conception of three new implements by workshops with practitioners  
Development of three new implements by CAD design
- 2022:** Construction and field testing of three new implements  
Public outreach with practical days and open access in internet

As a transnational project, it must be approved and co-funded by a Swedish Leader LAG. The call is open to all associations in Sweden related to work horses and the input could be in the design as well as in the construction process and / or in the field trials.

The implements to be developed would be selected in workshops with practitioners, according to the bottom-up principle. The development focus should be on innovation, suitability for everyday use under European farming and gardening conditions as well as easiness for the work horse. The field trials would be evaluated by measuring of the required tractive efforts. The aim is to enable market gardeners and smallholder farms to equip themselves with state-of-the-art tools and increase their competitiveness in the context of a very natural agriculture.

More information can be found under the following link:

[https://enrd.ec.europa.eu/lag/lu-005/offer/innovation-agriculture-gardening\\_en](https://enrd.ec.europa.eu/lag/lu-005/offer/innovation-agriculture-gardening_en)

<https://www.schaffmatpaerd.com/en/>

For further information, please contact:

Paul Schmit  
Schaff mat Päerd asbl  
[schaffmatpaerd@pt.lu](mailto:schaffmatpaerd@pt.lu)



Sarah Mathieu  
Leader Lëtzebuerg West  
[sarah.mathieu@leader.lu](mailto:sarah.mathieu@leader.lu)

